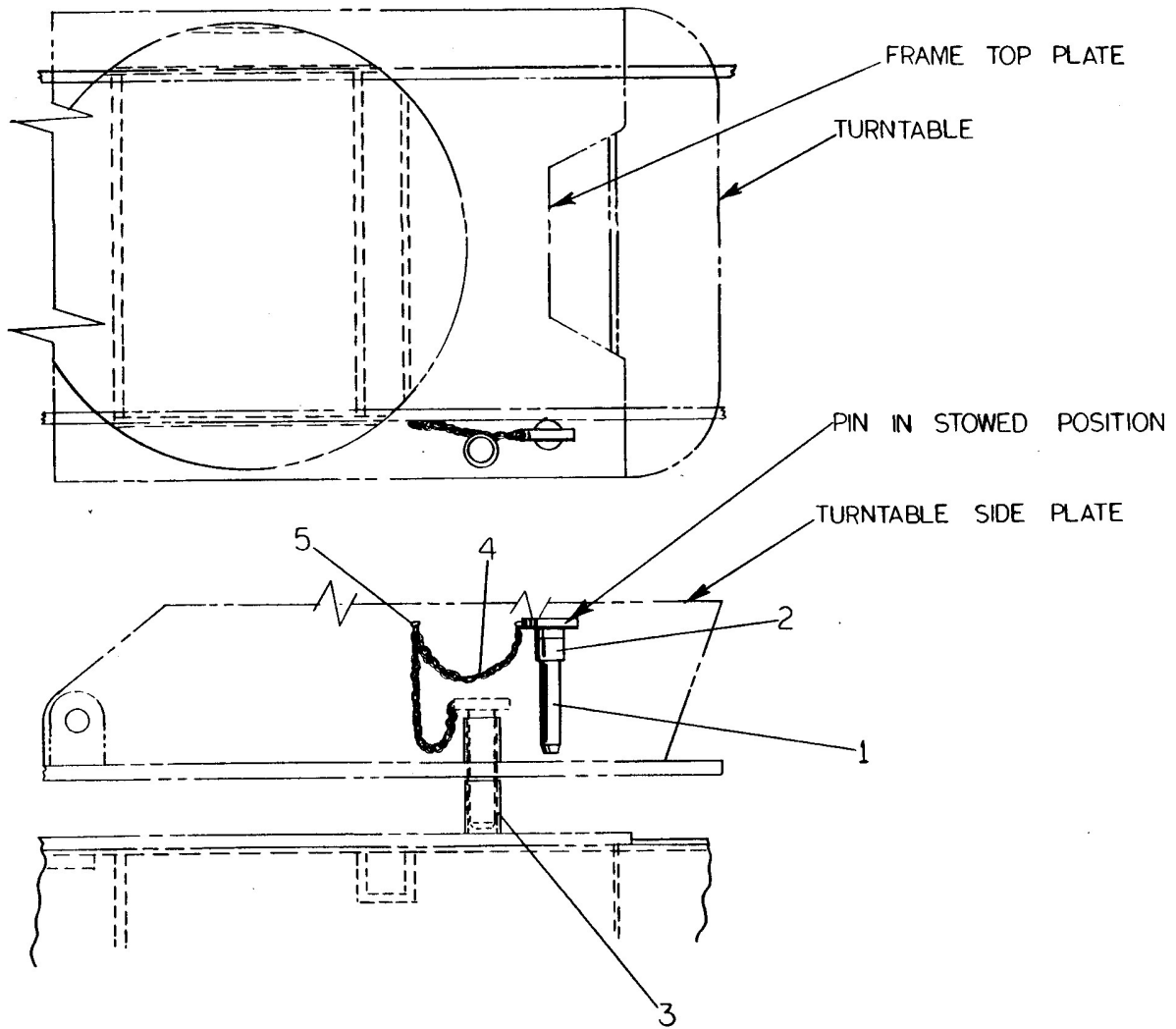


# Manitowoc Crane Group



Part Number	Description	No.	Serial No.
-------------	-------------	-----	------------